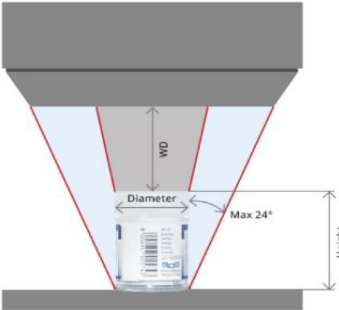
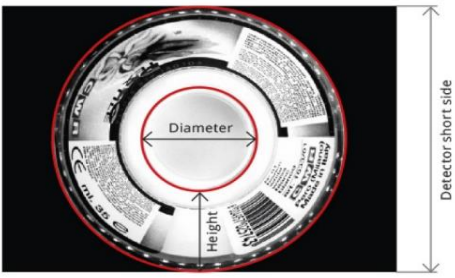
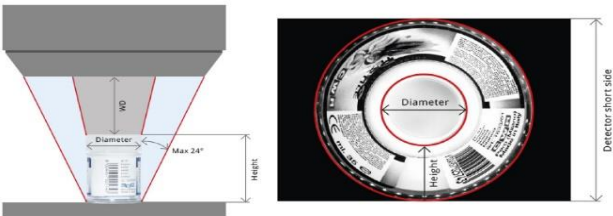
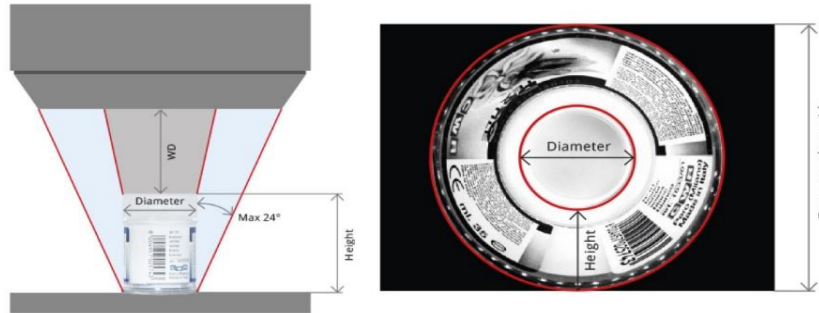


Pericentric series (PCXS)			
<b>Description</b>	 		
<b>Model</b>	<b>PC12030XS</b>	<b>PC13030XS</b>	<b>PC23030XS</b>
Main optical specifications			
<b>Image circle diameter (mm)</b>	4.8	3.6	6.6
<b>Max sensor size</b>	1/2"	1/3"	2/3"
Field of view (diameter x height)			
<b>Minimum (mm × mm)</b>	10.0x5.0	7.5x5.0	15.0x5.0
<b>Maximum (mm × mm)</b>	55.0x15.0	55.0x20.0	55.0x12.0
Advanced optical specifications			
<b>Working distance with minimum object (mm)</b>	80	85	80
<b>Working distance with maximum object (mm)</b>	20	20	20
<b>Viewing angle (deg)</b>	24	24	24
<b>Working f/N</b>	12	8	16

		Pericentric series (PCHP)	
Description			
Model	<b>PC12030HP</b>	<b>PC13030HP</b>	
Main optical specifications			
Image circle diameter (mm)	4.8	3.6	
Max sensor size	1/2"	1/3"	
Field of view (diameter x height)			
Minimum (mm × mm)	20.0x60.0	20.0x60.0	
Maximum (mm × mm)	60.0x20.0	60.0x20.0	
Advanced optical specifications			
Working distance with minimum object (mm)	80	85	
Working distance with maximum object (mm)	20	20	
Viewing angle (deg)	24	24	
Working f/N	16	16	

**Pericentric series (PCCD)**



**Description**

<b>Model</b>	<b>PCCD012</b>	<b>PCCD013</b>	<b>PCCD023</b>
	<b>Main optical specifications</b>		
<b>Image circle diameter (mm)</b>	4.8	3.6	6.6
<b>Max sensor size</b>	1/2"	1/3"	2/3"
	<b>Field of view (diameter x height)</b>		
<b>Minimum (mm × mm)</b>	7.5x5.0	7.5x5.0	7.5x5.0
<b>Maximum (mm × mm)</b>	25.0x17.0	25.0x17.0	25.0x17.0
	<b>Advanced optical specifications</b>		
<b>Working distance with minimum object (mm)</b>	53	53	53
<b>Working distance with maximum object (mm)</b>	28	28	28
<b>Viewing angle (deg)</b>	5	5	5
<b>Working f/N</b>	35	35	35
	<b>Additional optical</b>		
<b>Working f/N</b>	18	16	20